

TUBOSHU⁷

SPECIFICATIONS SHEET

TELESCOPIC HANDLER TH417D-H

A powerful diesel machine that can lift up to 4 tons of weight, making it suitable for a variety of heavy-duty applications



TUBOSHU

SUITE 5, 66 WESTBOURNE TERRACE
LONDON, ENGLAND W2 3UJ
T: +44 7457 405 800

TUBOSHU.CO.UK

PERFORMANCE			
		with stabilizers extended	with stabilizers retracted
Maximum Load Capacity	kg	4000	4000
Maximum Forward Reach	m	13	8.7
Lift Capacity at Max. Reach	kg	700	250
Maximum Lift Height	m	17	16
Lift Capacity at Maximum Height	kg	2500	1000
Number of Booms		4	4
Maximum Speed	km/h	35	35

OPTIONAL FORK				
CATEGORY	CROSS SECTION WIDTH x THICKNESS	TONNAGE	LENGTH	
			INCHES	MM
HOOK FORK CLASS III - TYPE A	150 x 50 mm	4-5	42	1070
			47	1200
			48	1220
			54	1370
			60	1520
			66	1670
			72	1820
			78	1970

STANDARD EQUIPMENT
Hydrostatic drive train system, 4WD, high traction and efficiency, automatic drive and anti stall control (DA control), power distributed between implement and drive train system.
Flow sharing (LUDV) control implement system, parallel movement and electrical proportional control, realizing operation stably
Multifunctional Joystick, which controls the driving of vehicle, cargo loading/unloading and fork leveling
Optional Engine : QUANCHAI (National III/IV Emission Standard)
Three Steering Modes : 2WS: two-wheel steering 4WS-A: four-wheel Steering (turn) 4WS-B: four-wheel Steering (crab)
Real Time Display of Load and Torque
Automatic Leveling of Fork
Automatic Emergency Stop When Overloaded
Operator Detecting Safety Function
FOPS:ROPS Structure Cab

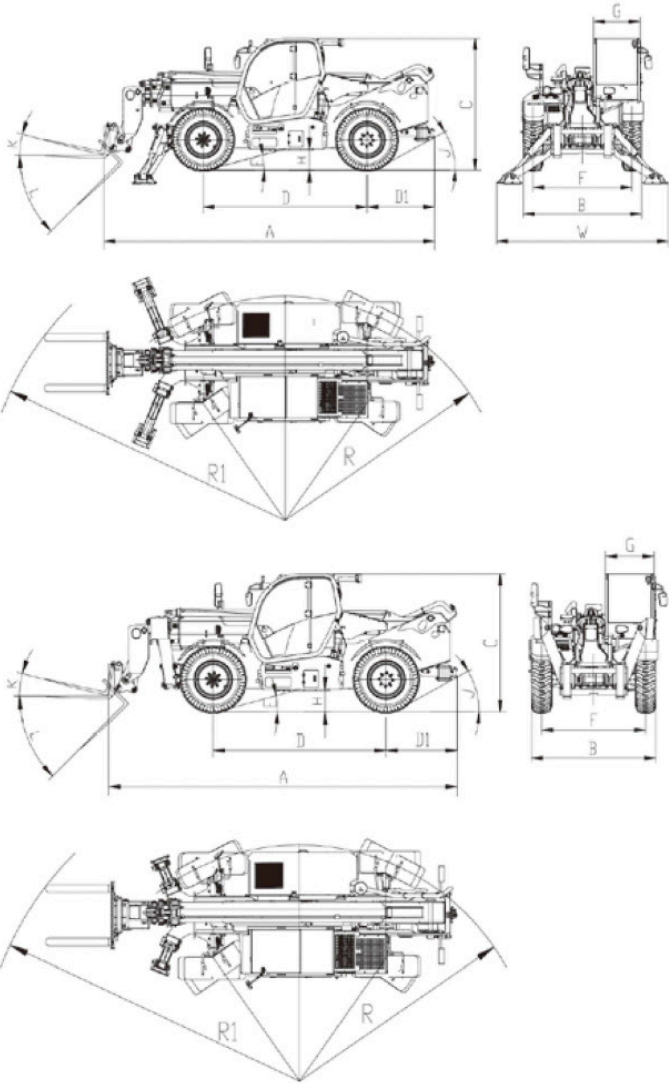
ATTACHEMENTS
Standard Crane Jib
Standard Crane Jib With Winch
Angle Crane Jib
Angle Crane Jib With Winch
Loading Bucket

ENGINE	
Manufacturer	QUANCHAI
MODEL	QSB3.9-C130-30
RATE POWER/SPEED	97 Kw/2300 rpm/min
Max. Torque Speed	520 Nm/1600 rpm
Total Displacement	3.9 L
No. of Cylinders	4
Low Idle	950 rpm
Exhaust Emission Standard	China Stage III
Adapter Models	TT417

DIMENSIONS		
Overall Width	mm	6535
Overall Width	mm	2400
Overall Height	mm	2660
Wheel Base	mm	3300
Ground Clearance	mm	360
Front Rack	mm	1986

DIMENSIONS		
Outside width of Cab	mm	940
Vehicle Passing Angle	°	17
Vehicle Departure Angle	°	29
Tilt Angle of Fork	°	12
Tilt Angle of Fork	°	110
Turning Radius	mm	4532

DIMENSION



LIFTING DIAGRAM

